

Mobile Folio Cabinets

- Wall panels and optional lockable doors are 3/4" (19 mm) thick industrial grade composite wood with no added formaldehyde and polyester laminate finish in Wenger standard colors
- Shelves are 1/8" (3 mm) thick high-density fiberboard
- Choral shelves are 11-1/2"w x 12-1/2"d (292 x 318 mm) and Band/Orchestra shelves are 14-1/4"w x 14-1/2"d (362 x 368 mm)
- Available in 1", 1-1/2", 2", 2-1/2", and 3" (25, 38, 51, 63, and 76 mm) shelf height openings to accommodate various thicknesses of folios
- Shelf support columns are extruded aluminum with black powder-coat paint finish
- Each cabinet includes four 3" (76 mm) swivel casters (two locking) to make transport easy. Four column choral cabinet contains six swivel casters for added support when transporting
- UL GREENGUARD certified - product certified for low chemical emissions: ul.com/gg - UL 2818
- Number strips included for all shelf spacing options
- Cabinets are shipped fully assembled
- Wall mounting bracket included for tall folio cabinets
- Ten-year warranty

Mobile Choral Folio Cabinets:

146M022, Two-column Choral Folio Cabinet:

- Cabinet only 125 lb (57 kg), with doors: 149 lb (68 kg) (based on 1-1/2" shelf spacing)
- Cabinet is 26-3/4"w x 17-5/8"d x 50-7/8"h (679 x 448 x 1292 mm)

146M023, Three-column Choral Folio Cabinet:

- Cabinet only 169 lb (77 kg), with doors: 205 lb (93 kg) (based on 1-1/2" shelf spacing)
- Cabinet is 39-7/16"w x 17-5/8"d x 50-7/8"h (1002 x 448 x 1292 mm)

146M024, Four-column Choral Folio Cabinet:

- Cabinet only 216 lb (99 kg), with doors: 298 lb (135 kg) (based on 1-1/2" shelf spacing)
- Cabinet is 51-3/4"w x 17-5/8"d x 50-7/8"h (1314 x 448 x 1292 mm)

Mobile Band/Orchestra Folio Cabinets:

146M032, Two-column Band/Orchestra Folio Cabinet:

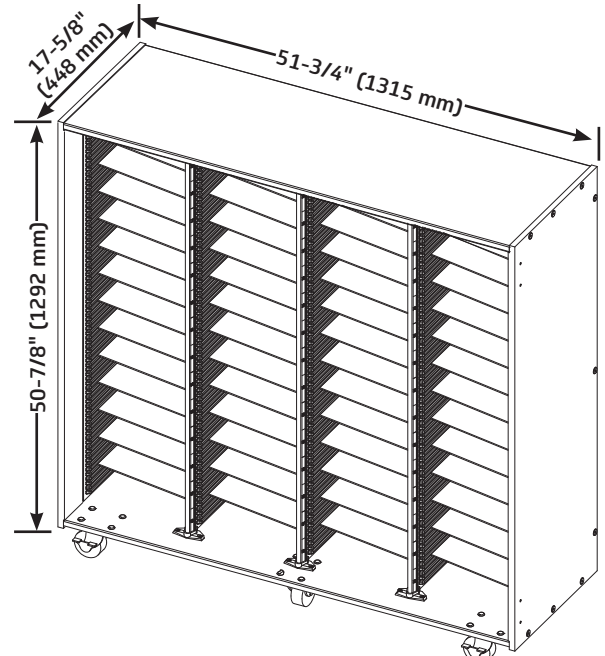
- Cabinet only 147 lb (67 kg), with doors: 178 lb (81 kg) (based on 1-1/2" shelf spacing)
- Cabinet is 32-7/16"w x 17-5/8"d x 50-7/8"h (824 x 448 x 1292 mm)

146M033, Three-column Band/Orchestra Folio Cabinet:

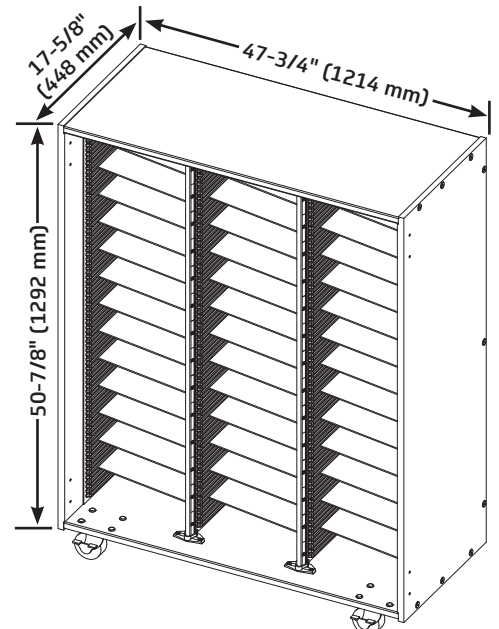
- Cabinet only 205 lb (93 kg), with doors: 250 lb (114 kg) (based on 1-1/2" shelf spacing).
- Cabinet is 47-3/4"w x 17-5/8"w x 50-7/8"h (1213 x 448 x 1292 mm).

Shelf Spacing Capacity

Cabinet	Shelf Spacing				
	1"	1-1/2"	2"	2-1/2"	3"
2-Column Choral	84	56	42	34	28
3-Column Choral	126	84	63	51	42
4-Column Choral	168	112	84	68	56
2-Column Band/Orchestra	84	56	42	34	28
3-Column Band/Orchestra	126	84	63	51	42



4-Column Choral Folio Cabinet



3-Column Band/Orchestra Folio Cabinet

